



Australian Government

IP Australia

# CERTIFICATE OF REGISTRATION

# DESIGN

**No. 353554**

I, **Fatima Beattie, Registrar of Designs**, certify that the design, a representation of which is attached, has been registered in the Register of Designs, and that the following details have been entered in the Register in respect of that registration.

**Name and Address of Owner(s):**

Franz Antonio Wakefield  
17731 NW 14th Ct Miami FL 33169-4686 United States of America

**Name of Designer(s):** Franz Antonio Wakefield

**Product in respect of which the design is registered:** Electronic device

**Design Number:** 15875/2013

**Date on which Application for Registration of the Design was filed:** 15 November 2013

**Date of Registration:** 4 February 2014

**Term of Initial Registration:** Five years commencing on 15 November 2013

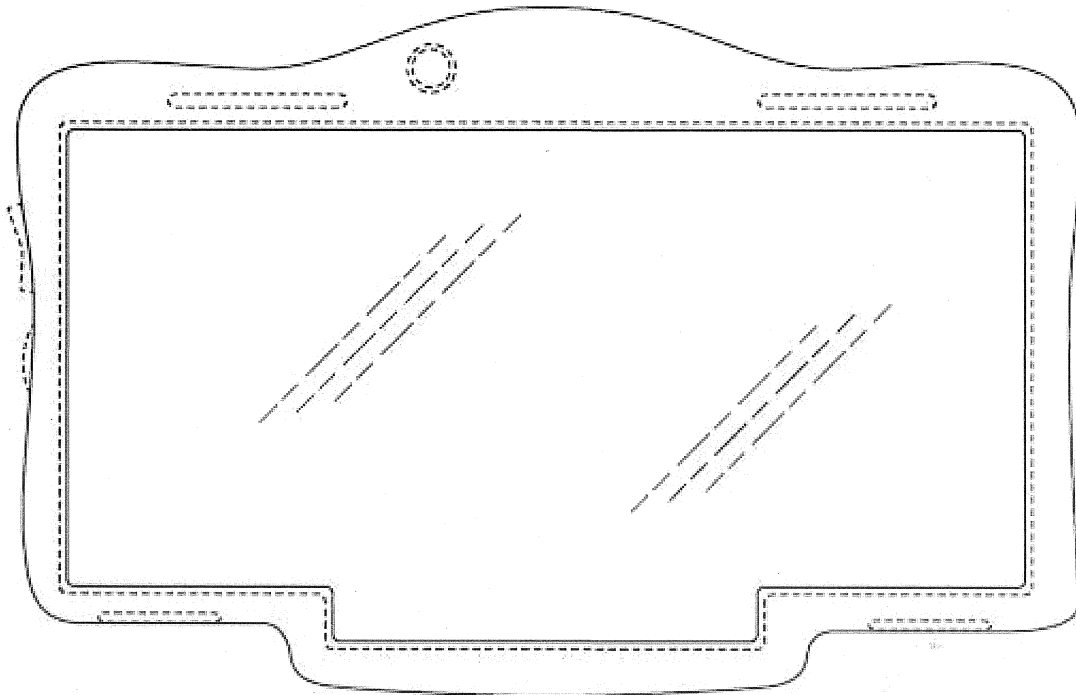
**Statement of Newness and Distinctiveness:** Nil.

The design representation(s), plus any additional owner or designer names or other additional information relating to the registration, are listed on the attached pages.

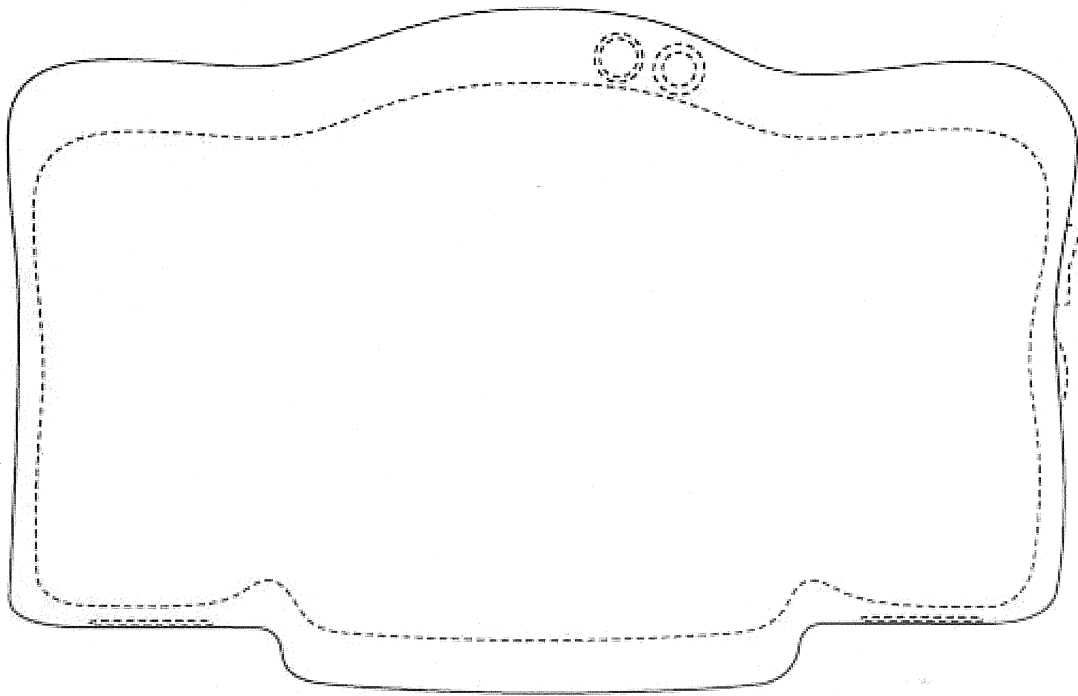
*Given under my hand and the seal of the  
Designs Office on 5 February 2014*



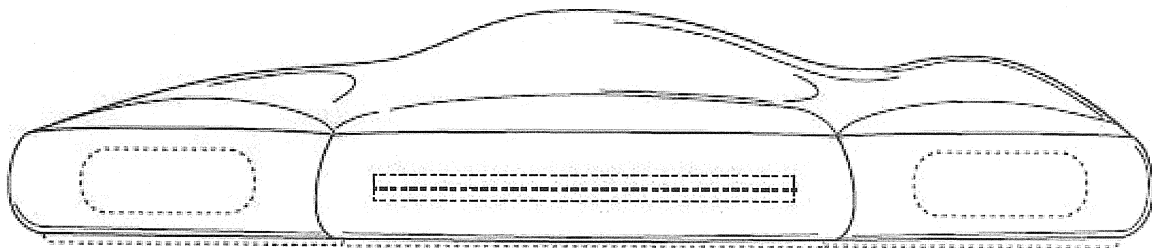
**Fatima Beattie  
REGISTRAR OF DESIGNS**



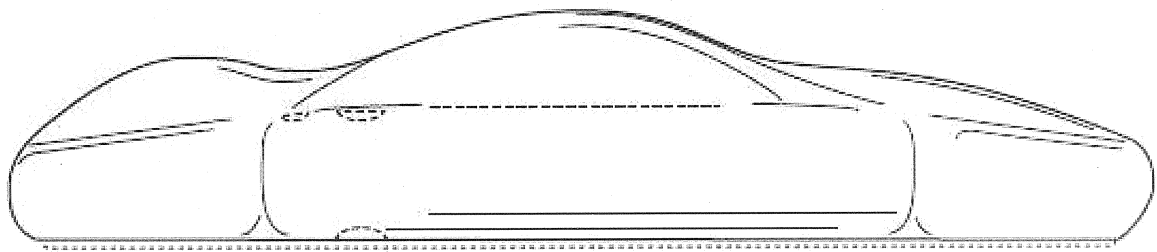
Front View



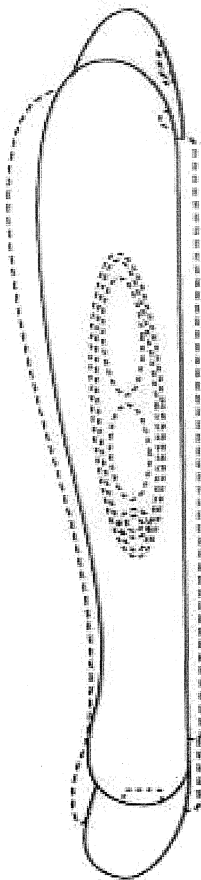
**Rear View**



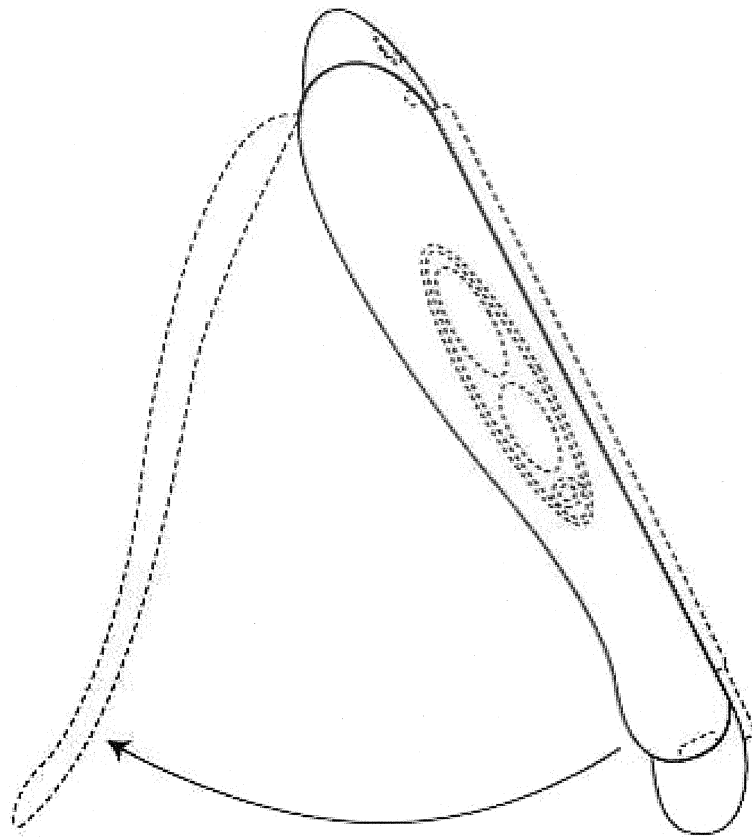
**Bottom view with stand closed**



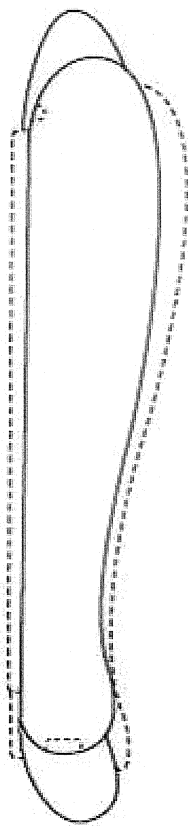
**Top view with stand closed**



Left side view  
with stand closed

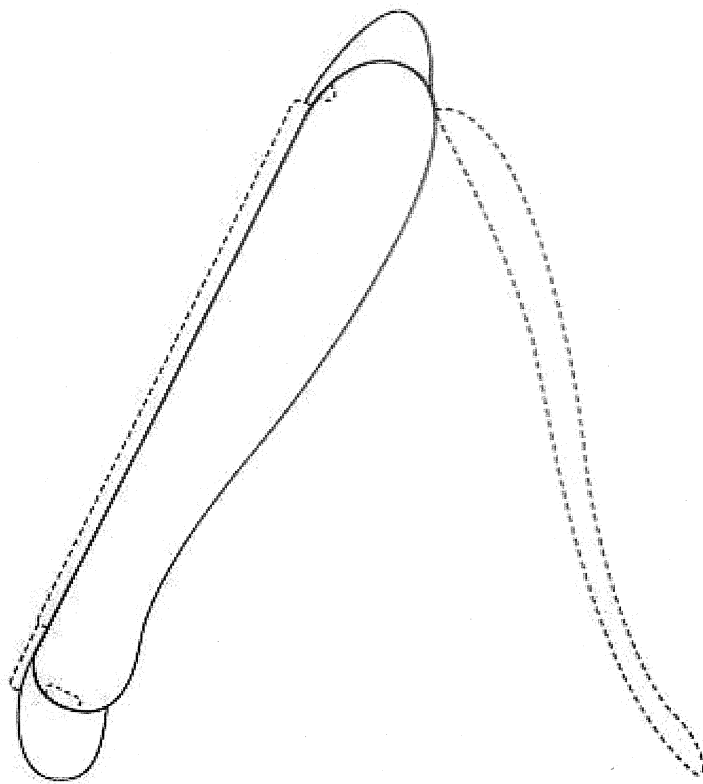


Left side view  
with stand open

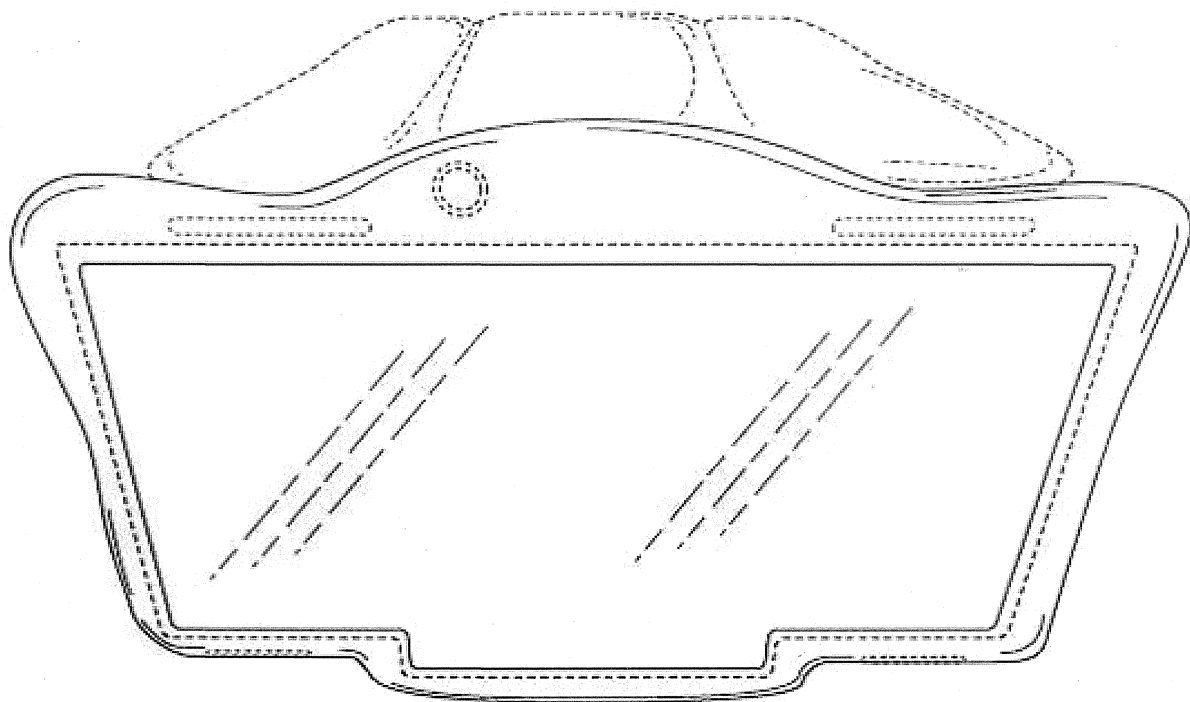


Right side view  
with stand closed

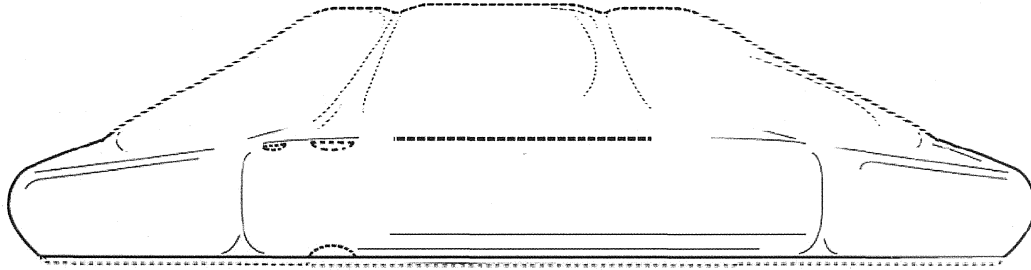




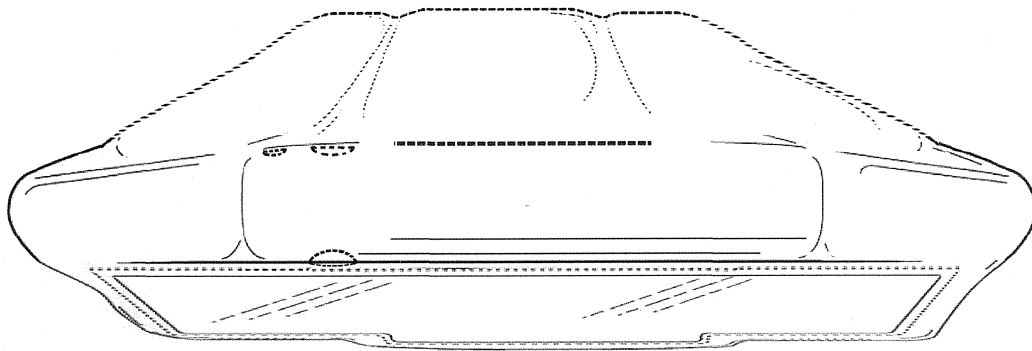
Right side view  
with stand open



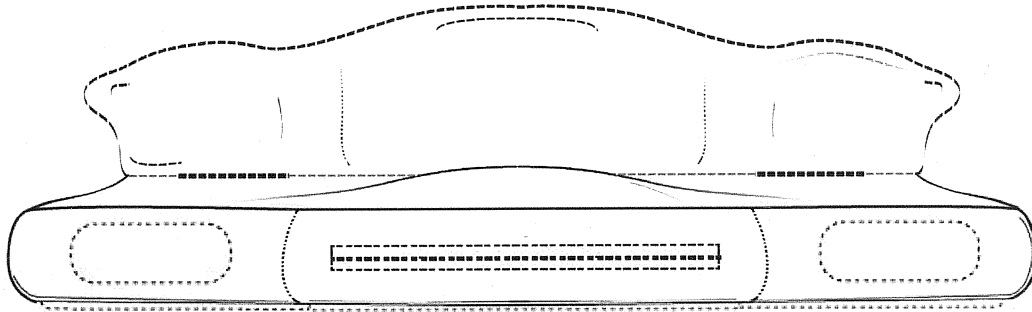
**Perspective view from above  
with stand open**



**Top view with stand open**



**Perspective view from above with stand open**



**Bottom view with stand open**